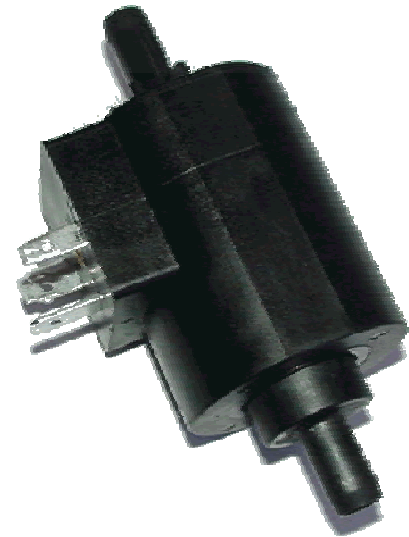
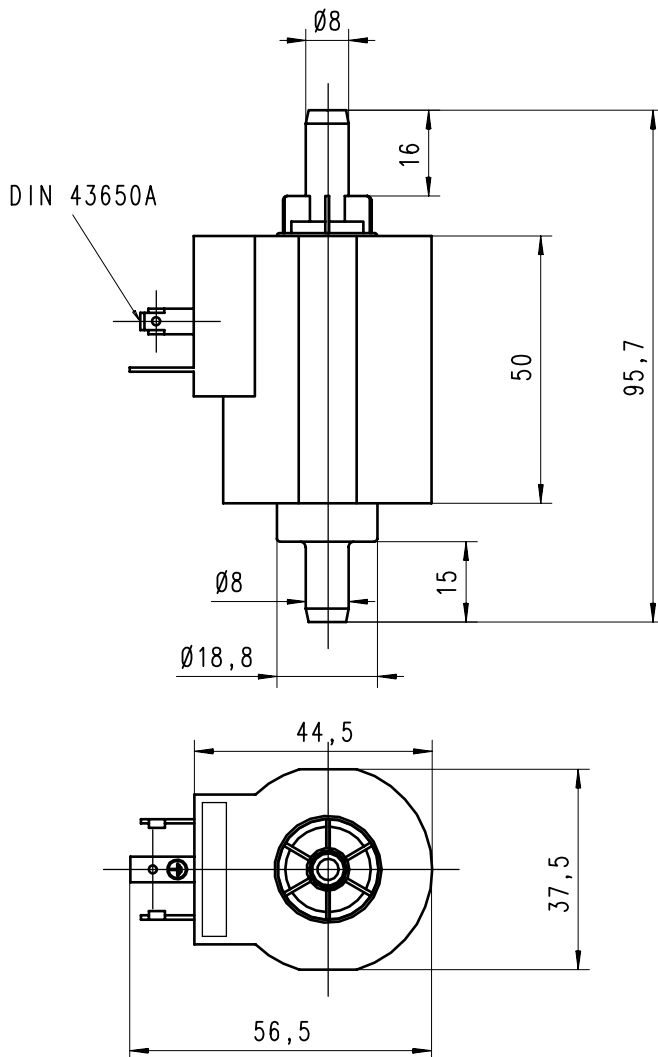


## Presentation

ELS 10-P/O &  
ELS 10-T/O  
DIN

Electro-magnetic pump



The challenger, new designed to be successful and universal !

The ultrasonic welded "one shoot" construction eliminate simply the elastomer O-rings, so no further need to adapt the (expensive !) seals to more and more aggressive fluids.

The in-built valves can be in PTFE for a total chemical resistance or in NBR for standard applications.

As the piston is sliding in a plastic jacket, the chance to stay stuck by dried liquid (soap, sirup, ... ) or to be corroded is greatly reduced.

Extremely silent, the pump can be now integrate in appliances, where in the past, electromagnetic pump were not accepted because too noisy.

Another advantage is that the pump resist well against rational dry running.

The list of advantages is too long to be printed, just contact us for more details !

Dimensions in millimeters (mm)

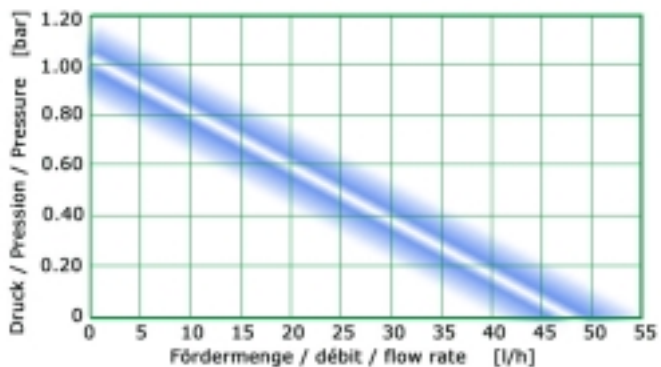
Hydraulic connection for soft tubing diameter from 5.5 to 7.5 (mm).

### Application fields :

- Air conditioning : water condensation removal
- Kitchen appliances as steam oven, dishwasher
- Medical and laboratory devices
- Cleaning equipment
- Photo development process



## Performances tested with water :



Nominal values, may vary with the power supply

### Self-priming :

Maximum rated vertical lift : 2.5 [m]  
Wet pumps have improved self-priming performance  
! Maximum dry running time : 15 [min] !

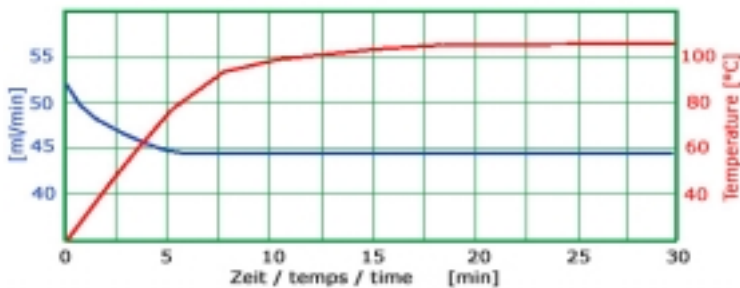
## Technical data

**ELS 10 -P/O &  
ELS 10 -T/O  
DIN**

**Electro-magnetic pump**

### Materials in contact with the liquid :

Body & connectors : *PPS plastic*  
Piston : stainless steel 431  
Springs : stainless steel 316  
Valves : *P=NBR or T=PTFE*  
*Special materials on request*

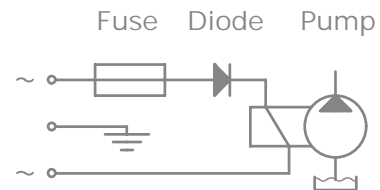


### Heating & flow :

The coil (motor) is warming up when the pump is running. The temperature's rise increase the resistance of the coil and so decrease the performances. The surface temperature stabilized about 110°C when ambient & liquid temperature are about 20 [°C]

### Electric wiring diagram

Fuse and diode are necessary



Please, refer to instruction manual for more installation details

### Nominal rated data :

#### ***Rated voltage & frequency :***

230/50, 110/60, 110/50, 24/50-60, 12/50-60 [VAC/Hz] diode rectified, specialty on request

***Power consumption :*** maximum 60 [W]

***Electrical connection :*** 3x AMP style terminals, ISO/DIN 43650 form A

***Coil insulation :*** class F (155°C), class H (180°C) on request (hot spot maximum allowed)

***Insulation :*** Class I, require grounding (included : third terminal)

***Operating cycle rate :*** continuous 100%ED @ 30°C (air & liquid)

***Dimension :*** 37.5/47.5/95.7 [mm] ***Weight :*** 260 [g]

***Operating temperature range :*** liquid & ambient : -10°C to 40°C. Protect against freezing.

***Noise level :*** dry run = ~45 [dB(A)], open flow = ~35 [dB(A)], max. pressure = ~30 [dB(A)]

***Approvals :*** CE conform to 73/23/CEE

***EMC :*** conform to CE 89/336/CEE

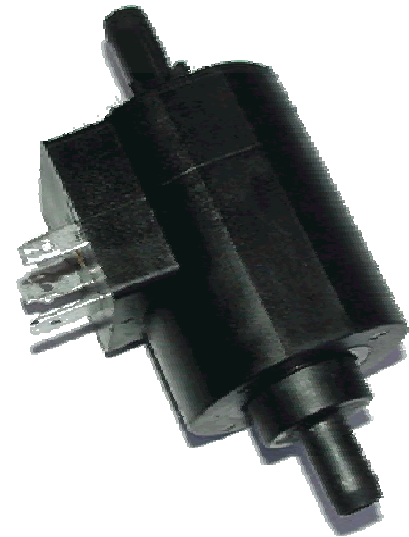
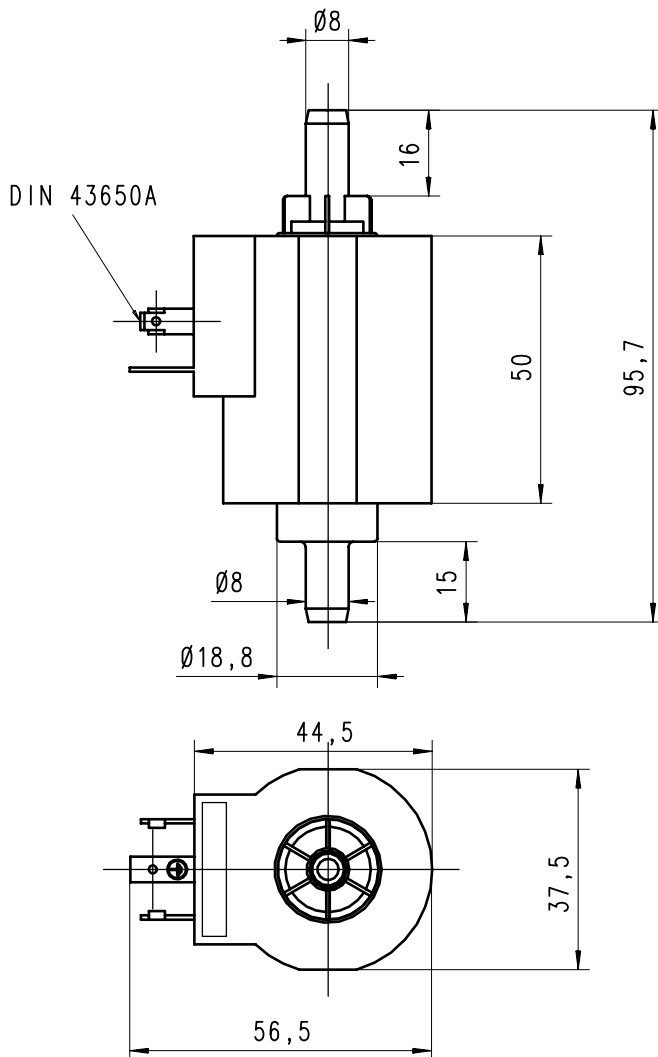
***Filter to mount before the pump:*** Mesh 100 [µm]

***Viscosity range :*** 1...600 [mm<sup>2</sup>/s]

## Presentation

ELS 10-P/O &  
ELS 10-T/O  
DIN

Electro-magnetic pump



The challenger, new designed to be successful and universal !

The ultrasonic welded "one shoot" construction eliminate simply the elastomer O-rings, so no further need to adapt the (expensive !) seals to more and more aggressive fluids.

The in-built valves can be in PTFE for a total chemical resistance or in NBR for standard applications.

As the piston is sliding in a plastic jacket, the chance to stay stuck by dried liquid (soap, sirup, ... ) or to be corroded is greatly reduced.

Extremely silent, the pump can be now integrate in appliances, where in the past, electromagnetic pump were not accepted because too noisy.

Another advantage is that the pump resist well against rational dry running.

The list of advantages is too long to be printed, just contact us for more details !

Dimensions in millimeters (mm)

Hydraulic connection for soft tubing diameter from 5.5 to 7.5 (mm).

### Application fields :

- Air conditioning : water condensation removal
- Kitchen appliances as steam oven, dishwasher
- Medical and laboratory devices
- Cleaning equipment
- Photo development process

