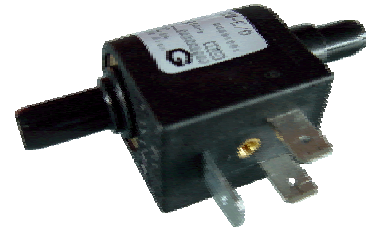
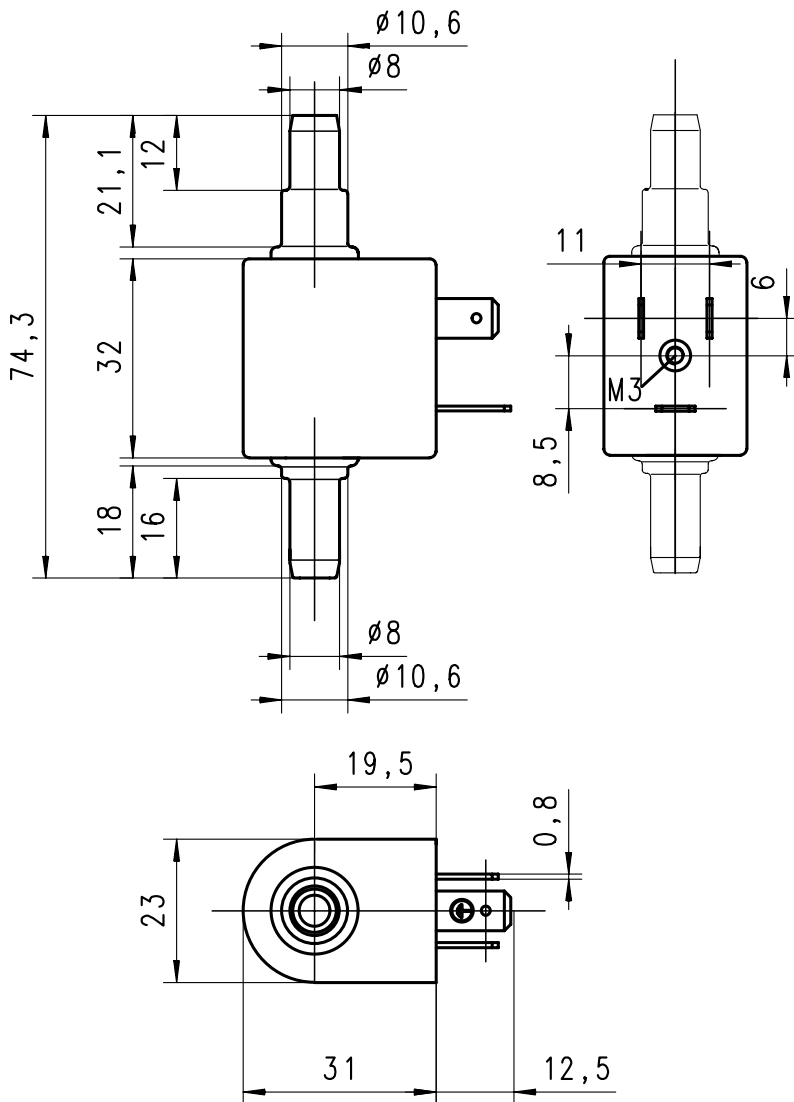


Presentation

EMS 10-E/O DIN

Electro-magnetic pump



The best seller! This low cost plastic pump is mainly used, but not limited, in water condensation removal system; its plastic body avoids any problem of sticking even after long time stops.

Exceptional self-priming performances allow mounting up to three meters higher than the level of liquid. Output performances are not least, and let the pump works in many configuration.

Compatible with a variety of liquids.

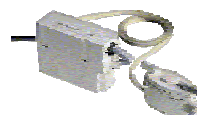
Small, light and low power consumption, the pump to adopt in your top quality devices.

Dimensions in millimeters (mm)

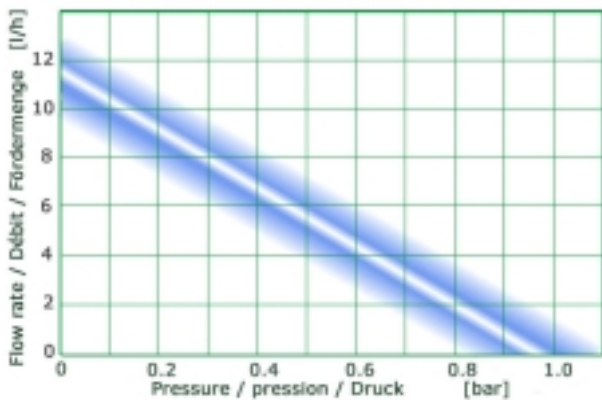
Hydraulic connection for soft tubing diameter from 5.5 to 7.5 (mm).

Application fields :

- Air conditioning : water condensation removal
- Kitchen appliances
- Medical and laboratory devices
- Cleaning equipment



Performances tested with water :



Nominal values, may vary with the power supply

Self-priming :

Maximum rated vertical lift : 2.5 [m]
Wet pumps have improved self-priming performance
! Maximum dry running time : 15 [min] !

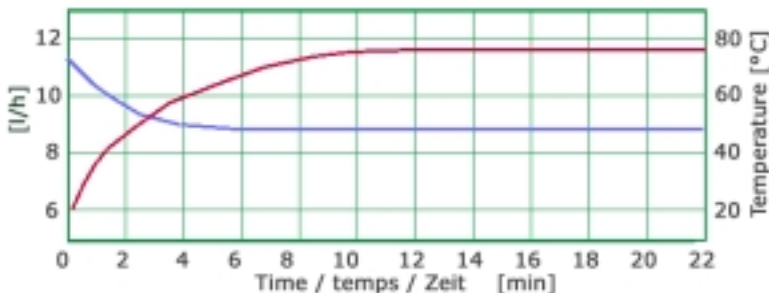
Technical data

EMS 10 –E/O
DIN

Electro-magnetic pump

Materials in contact with the liquid :

Body & connectors : *POM plastic*
Piston : stainless steel 431
Springs : stainless steel 316
Duckbills valves : *EPDM*
Special materials on request

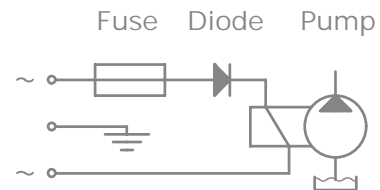


Heating & flow :

The coil (motor) is warming up when the pump is running. The temperature's rise increase the resistance of the coil and so decrease the performances. The surface temperature stabilized about 80°C when ambient & liquid temperature are about 25 [°C]

Electric wiring diagram

Fuse and diode are necessary



Please, refer to instruction manual for more installation details

Nominal rated data :

Rated voltage & frequency :

230/50, 110/60, 110/50, 24/50-60, 12/50-60 [VAC/Hz] diode rectified, specialty on request

Power consumption : maximum 18 [W]

Electrical connection : 3x 6.35/0.8 AMP style terminals, ISO/DIN 43650 11 [mm] form B

Coil insulation : class F (155°C), class H (180°C) on request (hot spot maximum allowed)

Insulation : Class I, require grounding (included : third terminal)

Operating cycle rate : continuous 100%ED @ 30°C

Dimension : 23/43.5/75 [mm] **Weight** : 78 [g]

Operating temperature range : liquid & ambient : -10°C to 50°C. Protect against freezing.

Noise level : dry run = ~45 [dB(A)], open flow = ~22 [dB(A)], max. pressure = ~20 [dB(A)]

Approvals : CE conform to 73/23/CEE , CB & S+ Cert. Nr. CH-1403, UL (US&CA) on request

EMC : conform to CE 89/336/CEE

Filter to mount before the pump: Mesh 100 [µm]

Viscosity range : 1...600 [mm²/s]