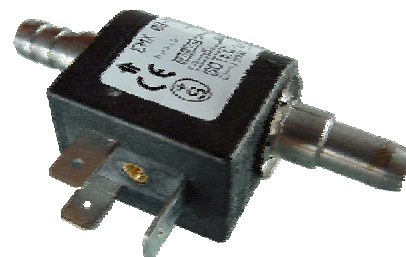
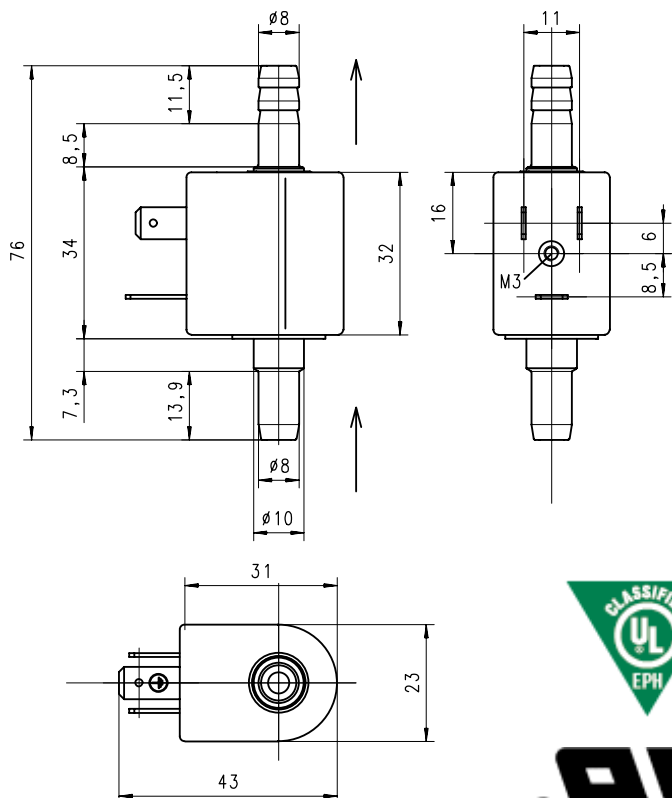


Presentation

EMX 08-T/C BD DIN

Electro-magnetic pump



Due to its unique construction, the stainless body of the pump has no o-ring or special sealing, this pump could handle a variety of liquids. The PTFE valves will resist against any attack and will warranty to never stick on their seats.

This pump is very appreciate in domain as different as medical, lubrication, printing system or food & drink dispensing. Indeed the pump can be delivered in a version specialized for food contact, bearing the UL Classified mark (EPH) for drinking water and food service equipment.

This pump, on request, can bear the UL security recognized mark.

The performances of the pump can be easily adapted to your level, as well as for the connection. The connectors of the pump can be delivered without barb to accept speed fittings.

The EMX 08 will be perfectly adapted to your high-tech devices.

Dimensions in millimeters (mm)

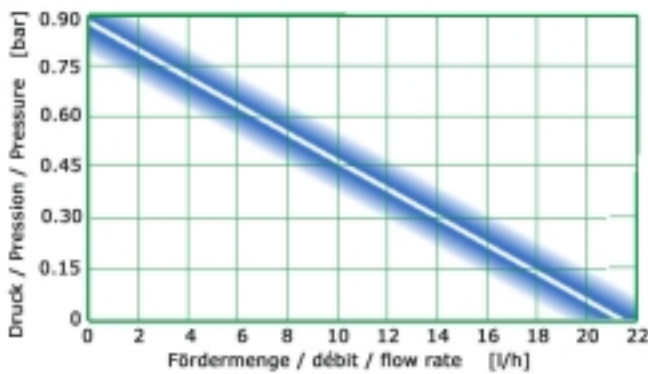
Hydraulic connection for soft tubing diameter from 5.5 to 7.5 (mm). Connectors without barbs for speed connectors available.

Application fields :

- Air conditioning : water condensation removal
- Kitchen appliances
- Medical and laboratory devices
- Cleaning equipment
- Printing systems (ink)
- Lubrication or circulation



Performances tested with water :



Nominal values, may vary with power supply

Self-priming :

Maximum rated vertical lift : 2V = 1.5 [m], Wet pumps have improved self-priming performance ! Maximum dry running time : 20 [min] !

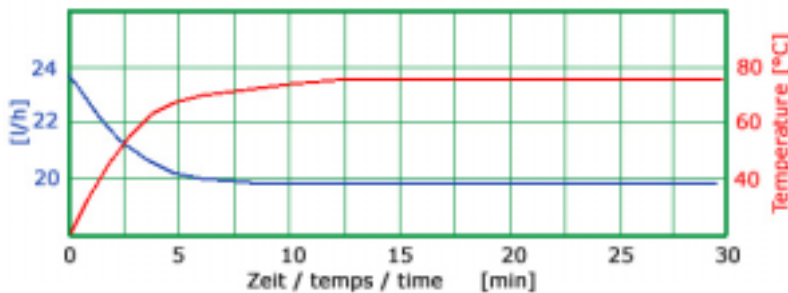
Technical data

EMX 08 –T/C BD DIN

Electro-magnetic pump

Materials in contact with the liquid :

Body & connectors : *SS 431*
 Piston : *SS 431 & Cr coating*
 Springs : *SS 316*
 Valves tips : *PTFE*
Special materials on request

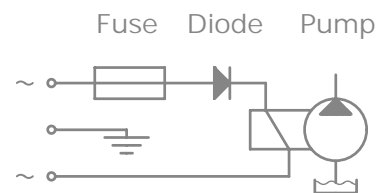


Heating & flow :

The coil (motor) is warming up when the pump is running. The temperature's rise increase the resistance of the coil and so decrease the performances. The surface temperature stabilized about 80°C when ambient & liquid temperature are about 25 [°C]

Electric wiring diagram

Fuse and diode are necessary



Please, refer to instruction manual for more installation details

Nominal rated data :

Rated voltage & frequency :

230/50, 110/60, 110/50, 24/50-60, 12/50-60 [VAC/Hz] diode rectified, specialty on request

Power consumption : maximum 18 [W]

Electrical connection : 3x 6.35/0.8 AMP style terminals, ISO/DIN 43650 11 [mm] form B

Coil insulation : class F (155°C), class H (180°C) on request (hot spot maximum allowed)

Insulation : Class I, require grounding (included : third terminal)

Operating cycle rate : continuous 100%ED @ 30°C

Dimension :23/43.5/76 [mm] Weight : 95 [g]

Operating temperature range : liquid & ambient : -10°C to 50°C. Protect against freezing.

Noise level : dry run = ~45 [dB(A)], open flow = ~32 [dB(A)], max. pressure = ~29 [dB(A)]

Approvals : CE conform to 73/23/CEE , CB & S+ Cert. Nr. CH-95.2, UL (US&CA) on request

EMC : conform to CE 89/336/CEE

Filter to mount before the pump: Mesh 100 [µm] Viscosity range : 1...600 [mm²/s]